

HygroClip S and Accessories



HygroClip S, HygroClip S3

- 100% interchangeable
- 1 digital output and 2 analogue outputs
- ROTRONIC Hygromer humidity sensor 0...100 %rh
- Accuracy ± 1.5 %rh
- Long-term stability better than 1 %rh/year
- High precision Pt100 temperature sensor
- HygroClip S3 (white) temperature range of 0...1V for $-40...60$ °C

Order code:

HygroClip S (anthracite) $-40...85$ °C = $-0.4...0.85$ V

HygroClip S3 (white) $-40...60$ °C = 0...1 V

HygroClip R (standard, refurbished)

HygroClip R3 (white, refurbished)



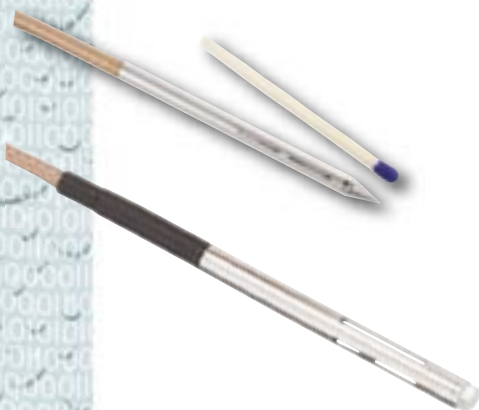
MOC, MOC3

- Mounting connector for HygroClip S
- 30 cm connecting wires
- Mounting hole 12.7 mm diameter or PG7 thread
- HygroClip connector with bayonet locking ring
- MOC3 in white for HygroClip S3

Order code:

MOC (anthracite)

MOC3 (white)



HygroClip SC04 / SC05

- HygroClip S with miniature cable probe:
Length = 51 mm, diameter = 4/5 mm, length of probe cable = 2 m
- 100% interchangeable
- 1 digital and 2 analogue outputs
- ROTRONIC Hygromer humidity probe 0...100 %rh
- Accuracy ± 1.5 %rh / ± 0.3 K
- Long-term stability less than 1 %rh drift per year
- Temperature sensor Pt100 1/3 DIN
- Probe operating temperature -30 °C...100 °C

Order code:

HygroClip SC04 4 mm \varnothing probe

HygroClip SC05 5 mm \varnothing probe



MOK, MOK3

Passive extension cables for HygroClip S and S3 (no electronics)

- 1...5 m connection cable with stripped wires
- 5 pin connector or DAT05 connection to extend cable length

Active adapter: with integrated amplifier

- Ranges 0...1V, 0...2,5V, 0...5V, 0...10V at 0...100 %rh and, for example $-40...60$ °C
- Length of connection cable up to 20 m
- MOK3 in white for HygroClip S3

Order codes:

see next page

Order codes passive MOK adaptors

Order codes passive adaptors	1	2	3	4	5	6	7	8	9	10	11	12	13	14	15
Standard type (anthracite)	M	O	K	-											
White housing				3-											
Cable length: 1 m					0	1									
2 m					0	2									
5 m					0	5									
Stripped wires								-	X	X					
Binder 5 pin connector									B	5					
DAT05 connector (HygroClip-plug)									D	A	T	0	5		

Order codes active adaptors	1	2	3	4	5	6	7	8	9	10	11	12	13	14	15	Remarks
Anthracite housing (Standard type)	M	O	K	-												
White housing				3-												
Cable length: 1 m					0	1										
2 m					0	2										
5 m					0	5										
10 m					1	0										
20 m					2	0										
Stripped wires								X	X							
Output signal																Max. cable length:
0...1 V (min. supply 5.5 V)									-	0	0	1	V			2 m
0...2.5 V (min. supply 5.5 V)										0	2	5	V			5 m
0...5 V (min. supply 10 V)										0	0	5	V			10 m
0...10 V (min. supply 15 V)										0	1	0	V			20 m
Temperature range														-		
0...100°C (not possible for MOK3-XX)																1
-30...70°C (not possible for MOK3-XX)																2
-40...60°C																3
Load: 1 kΩ/V																

HygroWin

- Probe for direct connection to a PC
- Measuring range 0...100 %rh, -40...85°C
- Accuracy ±3 %rh, ±0.5 K
- Comprehensive software with data storage
- Low cost

Order code:

HygroWin

MOK-WIN

- Adapter cable for direct connection of HygroClip S to your PC
- Cable lengths: 1 m, 2 m, 5 m
- Comprehensive software with data storage

Order code:

MOK-01-WIN (with 1 m cable)

MOK-02-WIN (with 2 m cable)

MOK-05-WIN (with 5 m cable)

Note: HygroClip probe must be ordered separately

Reference HygroClips

Reference HygroClips generate a fixed value for temperature und humidity in digital format. As the accuracy of digital values is absolute, the user can calibrate the system with them.

Order code:

HygroClip-S-35RH/15C simulates 35% rh and 15°C (others on request)

HygroClip-S-65RH/25C simulates 65% rh and 25°C



HygroClip S and Accessories

HPH Signal Booster

- Allows cable lengths up to 99 m
- Cable length compensation, therefore no measuring errors when using long cables
- ROV interface (10 mV/%rh, 10 mV/°C, 0 %rh, 0°C = 0V)

Ordering information HPH

Order code	Description
HPH-CG05B5	Booster, 5 m connecting cable with Binder 5 pin connector
HPH-CG99B5	Booster, conn. cable up to 99m selectable, Binder 5 pin conn.
HPH-CG05XX	Booster, 5 m connecting cable, stripped wires
HPH-CG99XX	Booster, connecting cable up to 99m selectable, stripped wires

Technical data of the HPH signal booster

Outputs	Humidity	0...100 %rh = 0...1 V
	Temperature	-40...85°C = 0.4...0.85 V
Cable length		5...99 m
Cable compensation		Up to 99 m
Connecting cable		Open terminations or 5 pin connector

HygroClip Technical data, Order Information

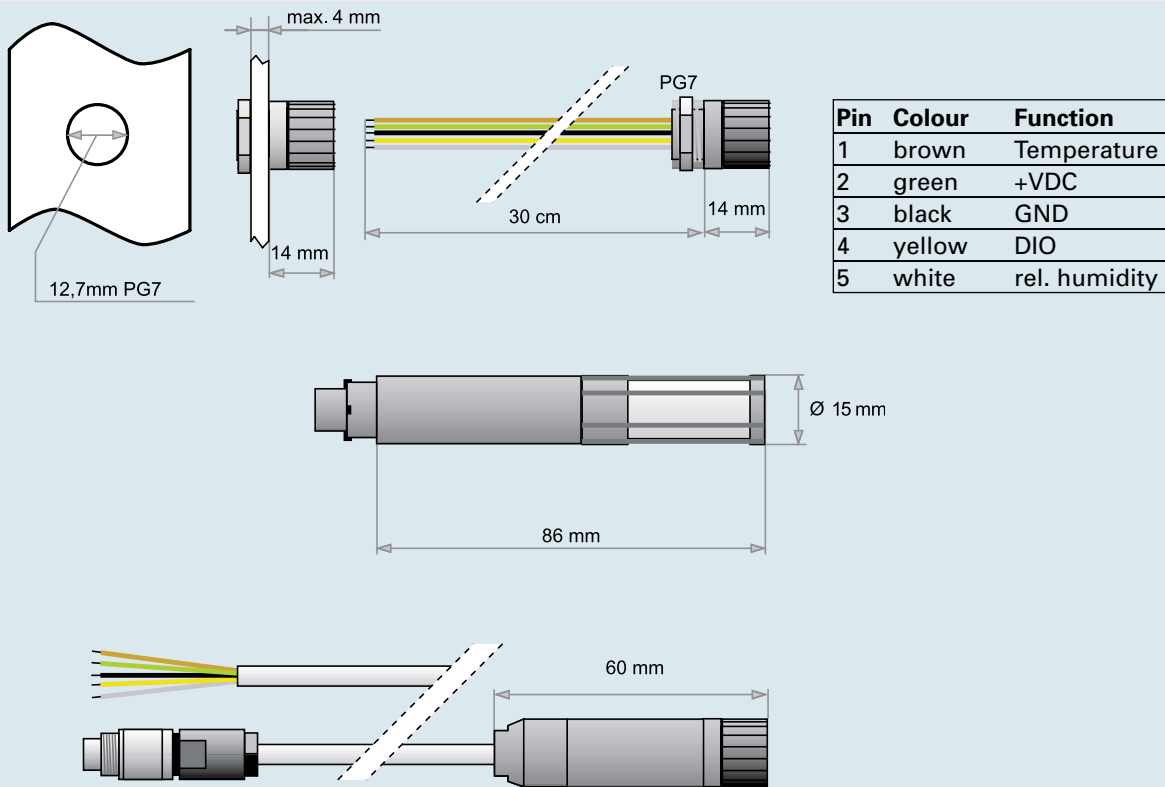
Supply voltage	HygroClip	3.5...50 VDC
Current consumption	HygroClip	Ca. 4 mA
Operating range	Humidity /Temperature	0...100 %rh / -40...85°C
Accuracy at 23 °C	Humidity /Temperature	±1.5 %rh / ±0.3 K
Output signals	HygroClip S	Humidity /Temperature 0...100 %rh = 0...1V / -40...85°C = -0.4...0.85V
	HygroClip S3	Humidity /Temperature 0...100 %rh = 0...1V / -40...60°C = 0...1V
Digital output signal		One Wire DIO
Start up time		2.7 s first measurement; 0.7 s subsequent
Resolution:	Humidity	100 %rh / 12 bit analogue, 16 bit digital
	Temperature	250 °C/12 bit analogue, 16 bit digital
Adjustment		Via PC (EE-Prom) or compatible instrument
Sensors Humidity / Temperature		Hygromer AC-1 / Pt100 1/3 DIN
Output load		>10 kOhm
Cable length		max. 5 m
Sensor protection		Wire filter (max. 20 m/s)
Dimensions with MOC		100 x 15 mm
Type of enclosure		IP65
Colour	HygroClip S	Anthracite RAL 7016
	HygroClip S3	White

Pin and colour configuration MOC, MOK, MOK-WIN

MOC, stripped wires		MOK B5 Plug		HPH B5 Plug		MOK-WIN	
Term	Wire colour	Pin	Wire colour	Pin	Wire colour	Term	D-sub 25 plug
+VDC	Green	2	Green	2	Green	TXD	2
GND	Black	3	Grey and Blue	3	Grey	RXD	3
Shield (GND)	N/C	3	Shield		N/C	RTS	4
Temperature	Brown	1		1	Brown	SG	7
Humidity	White	5		5	White	DTR	20
DIO Signal	Red	4	Yellow				
Compensation	N/A	N/A	N/A	4	Yellow		

Dimensional Diagrams

HygroClip



HPH Signal Booster

